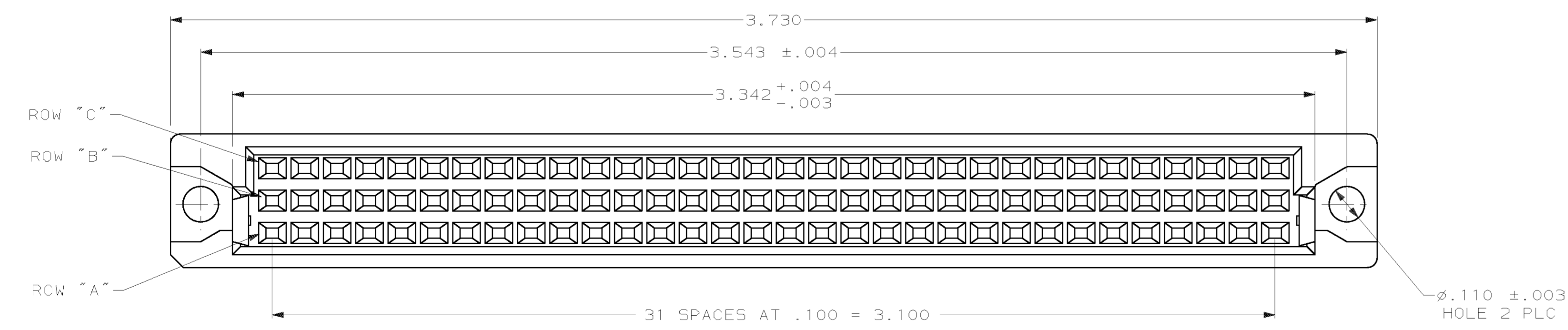
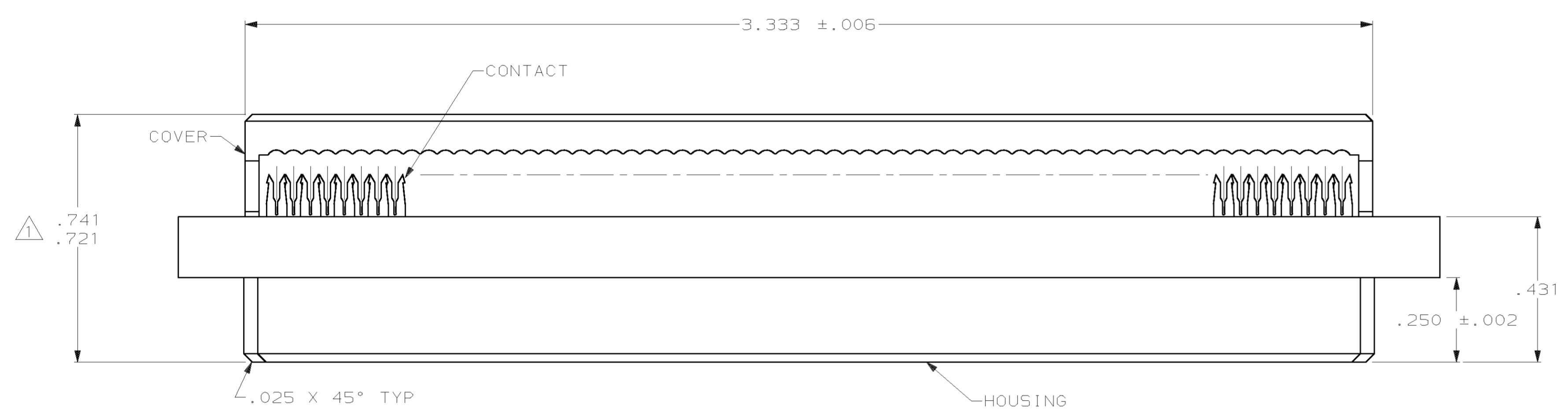
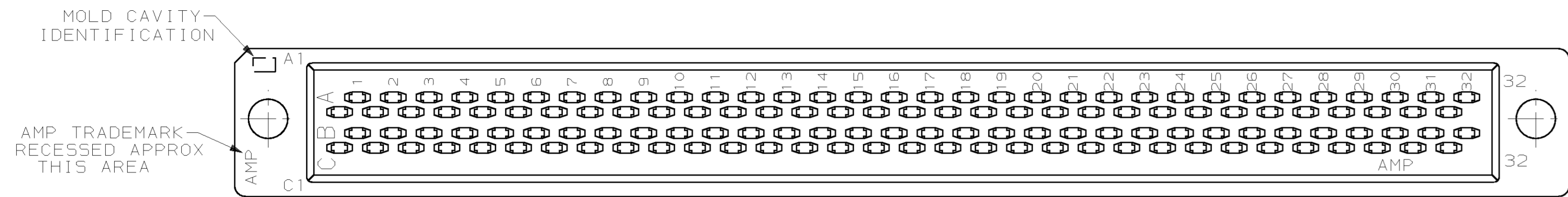
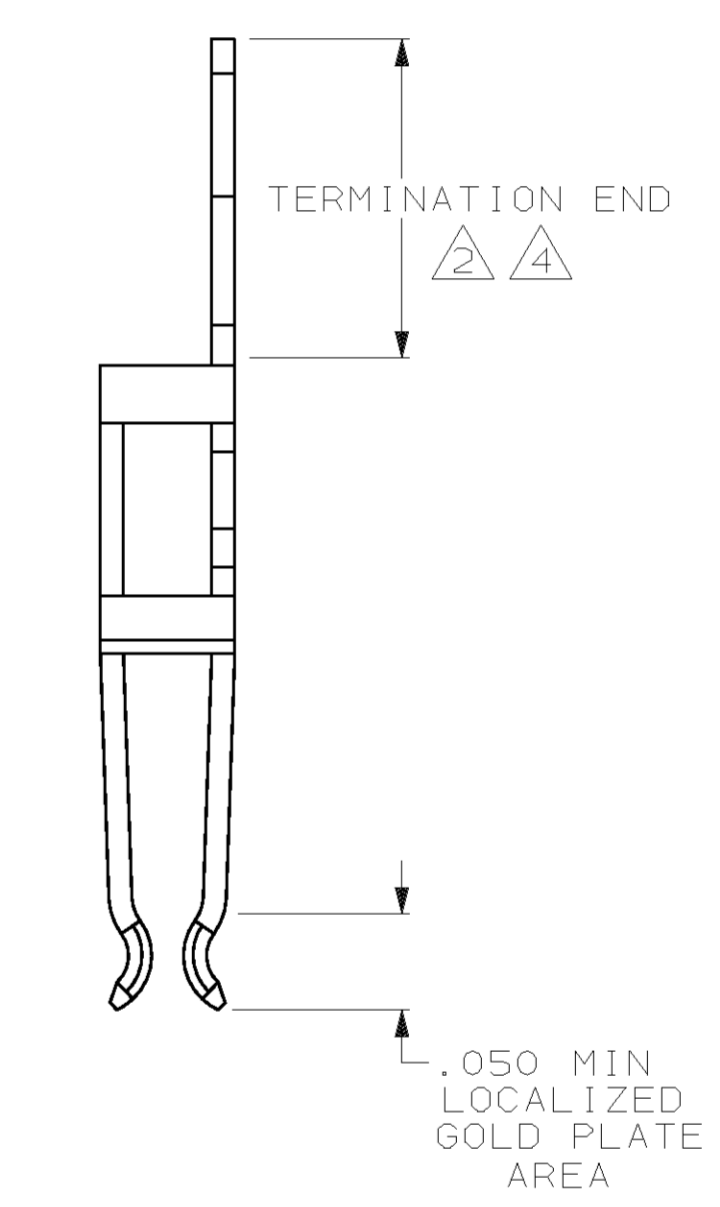
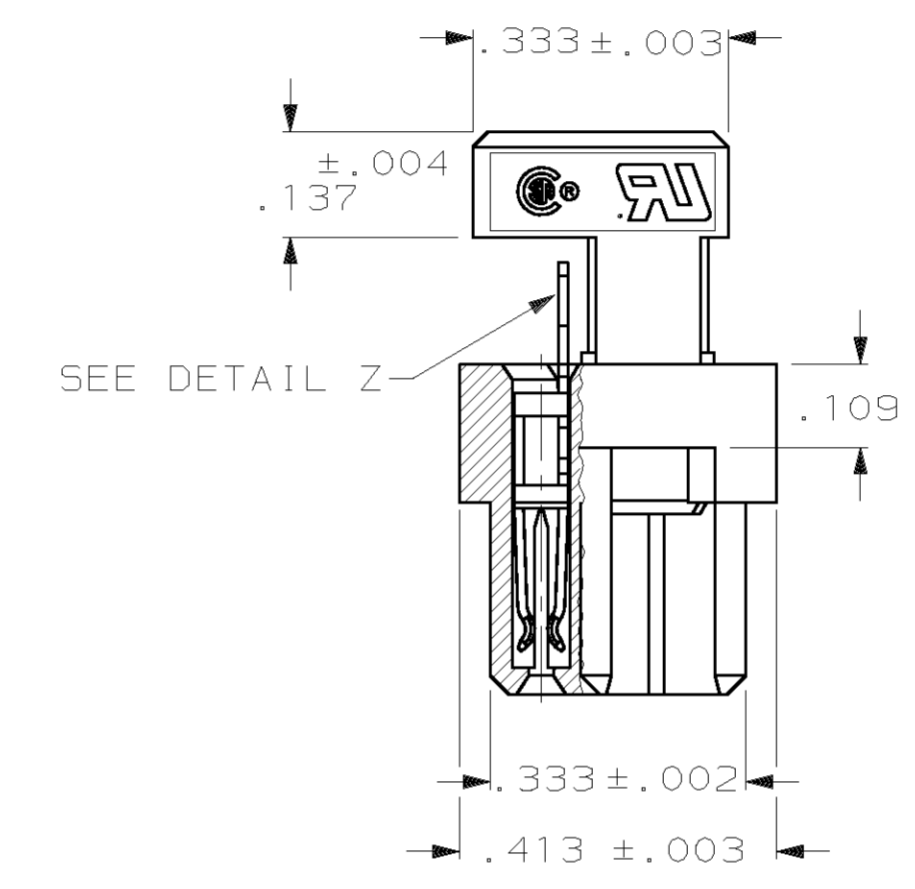


LOC		DIST		P		F		ZONE		LTR		REVISIONS		DATE	APPD
GP		00										DESCRIPTION			
												G	REVISED PER EC 0513-0018-03	28AUG03	JG



- △ DIMENSION EQUALS .568 WHEN FULLY TERMINATED.
- △ .000030 MIN. GOLD ON GOLD PLATE AREA, .000100 MIN. BRIGHT TIN LEAD ON TERMINATION END, ALL OVER .000050 NICKEL.
- 3. ASSEMBLY DESIGNED FOR #26 AND #28 AWG STRANDED CONDUCTOR AND #26, #28 AND #30 AWG SOLID CONDUCTOR RIBBON CABLE ON .050 CENTERS.
- △ .000030 MIN. GOLD ON GOLD PLATE AREA, .000100 MIN. BRIGHT TIN ON TERMINATION END, ALL OVER .000050 NICKEL.



DETAIL Z  
SCALE 10:1

	△	CONTACTS LOADED IN ROWS A & C	746603-4
OBSOLETE	△	CONTACTS LOADED IN ROWS B & C	746603-3
OBSOLETE	△	CONTACTS LOADED IN ROWS A & B	746603-2
	△	CONTACTS LOADED IN ROWS A & C	746603-1

CONTACT FINISH		DESCRIPTION		PART NO	
DO NOT SCALE PRINT. UNLESS SPECIFIED DIMENSIONS IN INCHES TOLERANCES ON:		DR 11-1-89 D KEITZER		AMP INCORPORATED Harrisburg, Pa. 17105	
2 PLC DEC ±		CHK -			
3 PLC DEC ± .005		APPD -			
ANGLES ± 1°		APPD -			
MATERIAL HOUSING & COVER GLASS FILLED POLYESTER 94 V-0 RATED COLOR:BLACK CONTACTS: PHOSPHOR BRONZE FINISH		PRODUCT SPEC 108-46003		NAME ASSEMBLY, EUROLATCH AMP-LATCH	
CONTACTS: SEE TABLE		APPLICATION SPEC -		SIZE D	CAGE CODE 00779
WEIGHT -		SCALE 4:1		DRAWING NO 746603	
				SHEET 1 OF 1	